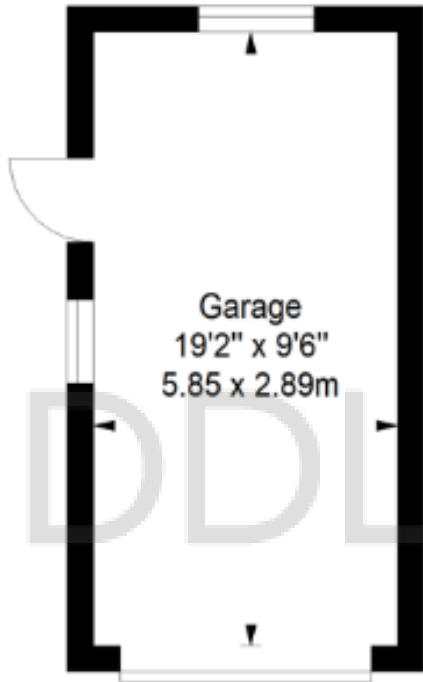


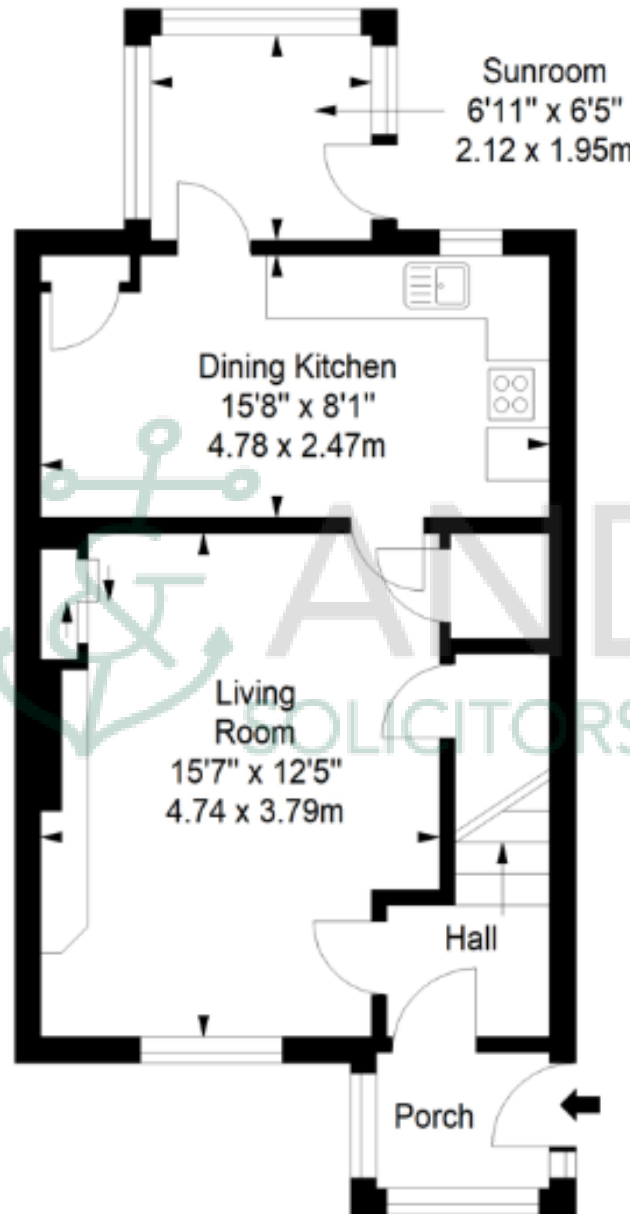
Garage

Approx. 16.9 sq. metres (181.9 sq. feet)



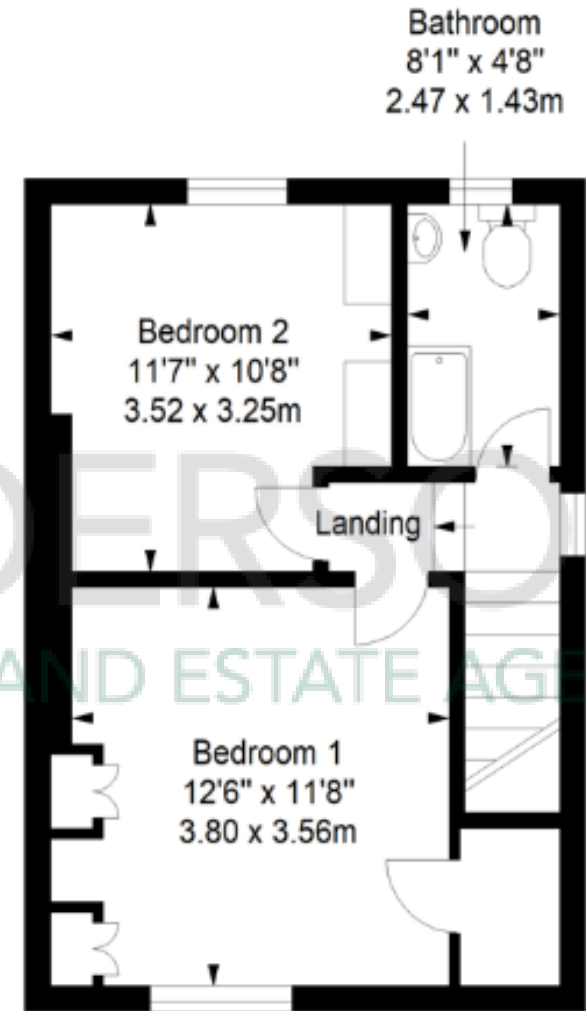
Ground Floor

Approx. 42.9 sq. metres (461.8 sq. feet)



First Floor

Approx. 36.1 sq. metres (388.6 sq. feet)



Total area: approx. 95.9 sq. metres (1032.3 sq. feet)